

## Ozone Air Purifier Owner's Manual

**Model:**  
**M-35**

(220-240V~, 50Hz)

Read and save these instructions before use  
[www.xpower.com](http://www.xpower.com) | [www.tx-5.com.hk](http://www.tx-5.com.hk)

---

Index: HK-1-B66  
Edition: 2.0.Final

# Safety Instructions

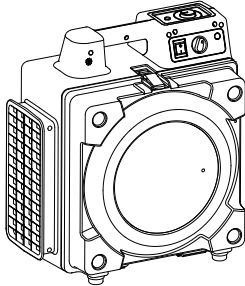
## **WARNING - READ AND SAVE THIS INSTRUCTIONS BEFORE USING THIS PRODUCT.**

The user of electrical products may create hazards that include, but are not limited to injury, fire, electrical shock. Failure to follow these instructions may damage and/or impair its operation and void the warranty.

- Before operating, remove all packaging material and check for any damage that may have occurred during shipping or any missing items.
- Check household power supply to ensure it matches the appliance's specification.
- **DO NOT** operate any fan with a damaged cord or plug. Discard fan or return it to an authorized service facility for examination and/or repair.
- **DO NOT** run cord under carpeting. **DO NOT** cover cord with throw rugs, runners, or similar coverings. **DO NOT** route cord under furniture or appliances. Arrange cord away from traffic area and where it will not be tripped over.
- To reduce the risk of fire or electric shock, **DO NOT** use this appliance with any solid-state speed control device.
- **DO NOT** touch this appliance or the plug with wet hands or while standing in water.
- **DO NOT** operate the appliance in any pooled water.
- **DO NOT** use the product in areas where gasoline, paint or other flammable goods and objects are used or stored.
- **DO NOT** insert or allow objects to enter any ventilation or exhaust opening as this may damage the appliance and void the warranty.
- **DO NOT** cover the air inlet or outlet on the appliance.
- **DO NOT** direct the air flow at human faces or bodies.
- **DO NOT** allow children to play around or with this appliance.
- **AUTOMATICALLY OPERATED DEVICE** – To reduce the risk of injury, disconnect from power supply before servicing.
- Remove the power cord from the electrical receptacle by grasping and pulling on the power cord plug-end only, **DO NOT** pull the cord directly.
- **DO NOT** attempt to repair or adjust any electrical or mechanical functions of this appliance, as this may cause danger and void the warranty.
- If the appliance is damaged or it malfunctions, **DO NOT** continue to use it. Unplug the product from the electrical outlet. Refer to troubleshooting guide or contact XPOWER.
- Store in a dry area, away from exposure to sunlight, extreme temperature and humidity, or other extreme environments, when not in use.
- **DO NOT** stack more than five units of this appliance.
- **SPECIFIC SAFETY WARNINGS OF THE OPERATION OF OZONE FUNCTION.**
- **DO NOT** use the ozone function of this product in the space where people, pets and plants are present.
- **DO NOT** use the product in areas where gasoline, paint or other flammable goods and objects are used or stored. Use in a dry area, away from exposure to sunlight,

- extreme temperature and humidity, or other extreme environments, when not in use.
- Operated the device in a sealed room. Make sure to seal off all openings of the room.
  - Once the ozone function has been started as well as during the cleaning process there must be neither people nor animals in the room to be cleaned and remove any plants.
  - Leave the room immediately once turn on the ozone switch.
  - Clearly indicate a room's ozone treatment for others and make sure that the room concerned cannot be accessed. Suitable warning signs should be attached at the entrance.
  - **DO NOT** enter the treated room until the ozone concentration has dropped below a value of 0.2 mg/m<sup>3</sup>. (30 minutes after the ozone cleaning process has been completed.).
  - An electronic instruction manual can be obtained through manufacturer's website [www.xpower.com](http://www.xpower.com) or [www.tx-5.com.hk](http://www.tx-5.com.hk)

## Items Included



- Ozone Air Purifier x 1



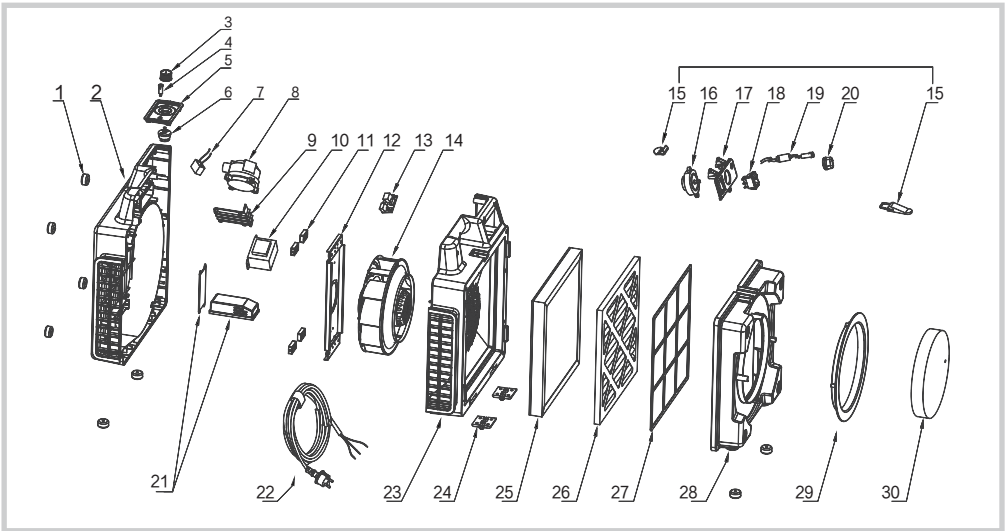
- Warning Sign x 1



- Owner's Manual x 1

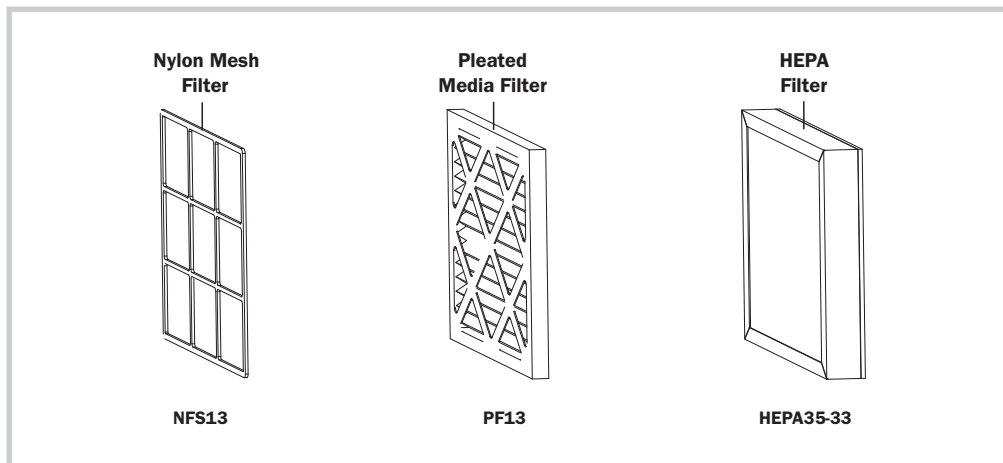
# Parts Description

## Machine



- |                               |                                  |
|-------------------------------|----------------------------------|
| (1) Rubber Feet               | (17) Timer Plate                 |
| (2) Rear Housing              | (18) Switch of Ozone             |
| (3) Switch Knob               | (19) Indicator of Ozone          |
| (4) Filter Change Light       | (20) Timer Knob                  |
| (5) Switch Plate of Air Speed | (21) Ozone Generator Assembly    |
| (6) Switch of Air Speed       | (22) Power Cord                  |
| (7) Capacitor                 | (23) Front Housing               |
| (8) Pressure Switch           | (24) Zinc Alloy Hinge            |
| (9) Pressure Switch Cover     | (25) HEAP Filter (HEAP35-33)     |
| (10) Transformer              | (26) Pleated Media Filter (PF13) |
| (11) Quakeproof Washer        | (27) Nylon Mesh Filter (NFS13)   |
| (12) Motor Holder             | (28) Cover                       |
| (13) Air Quality Sensor Box   | (29) Air Inlet End Cover         |
| (14) Motor Assembly           | (30) Foam Cover                  |
| (15) Latch Kit                |                                  |
| (16) Timer                    |                                  |

## Filters



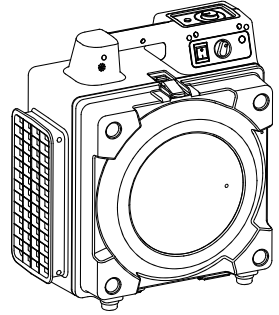
MODEL NUMBER	FIRST STAGE FILTER	SECOND STAGE FILTER	THIRD STAGE FILTER
M-35	NFS13	PF13	HEPA 35-33

The graph only presents the appearance of the filters. The actual sizes of filters with different part number could be slightly different. (See Page 18: Technical Specifications)

If your product(s) is not listed above, please visit [www.xpower.com](http://www.xpower.com) or [www.tx-5.com.hk](http://www.tx-5.com.hk) for more information.

# Ozone Air Purifier Introduction

- XPOWER's unique and highly innovative Ozone Air Purifier create a fresh and clean environment for various purposes. It uses high voltage current to generate ozone from the oxygen in the air. It is designed for air sterilization, disinfection and purification. The oxidising agent ozone breaks down the existing odor molecule.e.g. cooking smells or musty odors as well as the smells left behind by cigarette smoke or a fire.
- With a special designed powerful motor, XPOWER Ozone Air Purifier are able to provide suction in even difficult areas.
- The included filtration system can capture a wide range of compounds and prevents organism migration from location to location.

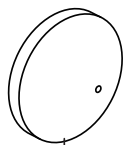


# Installation and Operation Guide

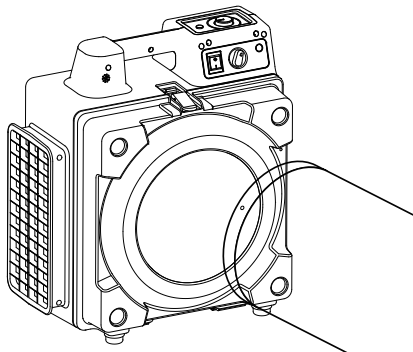
## Selecting a Location (Important)

- **Enclosed Area:** For optimal efficiency and longer filter lifespan, the Ozone Air Purifier should be operated in an enclosed area. Keep all doors, windows and other outside entrances to the room closed.
- **Air Circulation:** It's suggested to have a constant efficient air circulation inside your working area. You may achieve this with XPOWER Air Mover combinations.
- **Environment Humidity:** For optimal efficiency and higher filter lifespan, the Ozone Air Purifier should not be operated in an environment with a high relative humidity level. High humidity level could cause blockage and damage to filters.
- **Power Cord:** The power cord has a length of 13 feet (4.0 meters). Select a location where the power cord can reach the power source.
- **Inlet and Outlet Orientation:** Also pay attention to the orientation of the air inlet and air outlet. Make sure the airflow won't influence any object nearby the Ozone Air Purifier.

## Extension Setup (Optional)

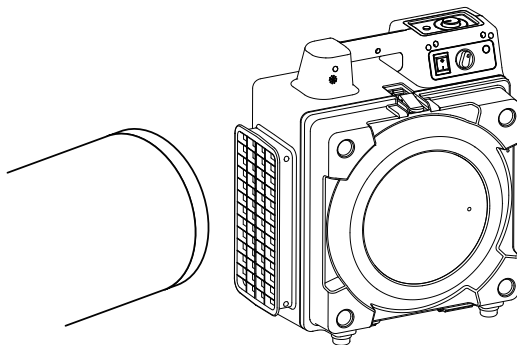


Foam Cover



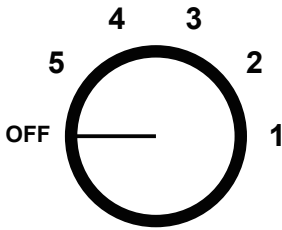
### Intake Ducting

- Turn off the machine and remove the foam cover.
- Attach the ducting hose to the intake.



### Exhaust Ducting

- Turn off the machine.
- Attach the ducting hose to the exhaust.



**Five Speed Control**

### Five Speed Control

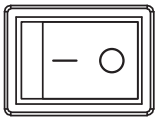
- Turn to “**OFF**” Franklin Gothic Book position to switch the Ozone Air Purifier “**OFF**”. Turn to any speed position to switch the Ozone Air Purifier “**ON**”.
- Turn clockwise to set the desired speed. There are 5 speeds from: 5, 4, 3, 2, 1. “5” is the highest speed and “1” is the lowest speed .



**Filter change light**

### Filter Change Light

- This indicates that the filters have exceeded the maximum capacity of particles, and the filtration efficiency has diminished. You should clean or replace the filters. (See Page 13: Filter Maintenance)

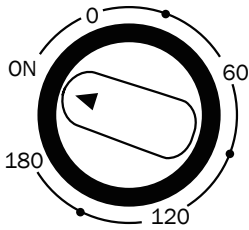


**Ozone Switch**

### Ozone Switch

- When the switch reaches “**0**” position, the ozone function stays off.
- When the switch reaches “**I**” position, the ozone function will connect with power supply. If the fan is functioning, then the ozone function will start; If the fan is off, or the timer switch reaches “**0**” position, then the ozone function will stop.
- On “**ON**” position, it will stay connected with power.

## Control Panel (Continued)

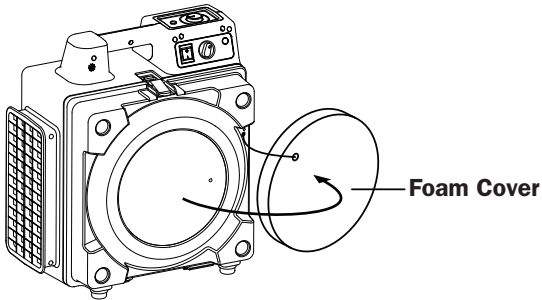


**Timer Switch**

### Timer Switch

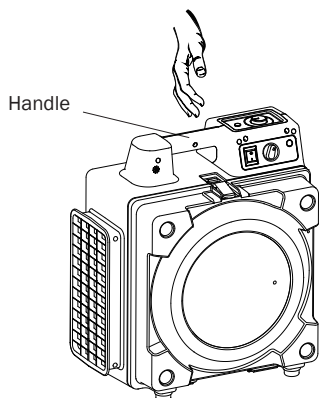
- Turn clockwise to set timer for minutes count down to an automatic stop.
- The timer can be set for up to 180 minutes (3 hours).
- When the timer reaches “0” position, the unit stops working. On “ON” position, it will stay connected with power.

## Foam Cover



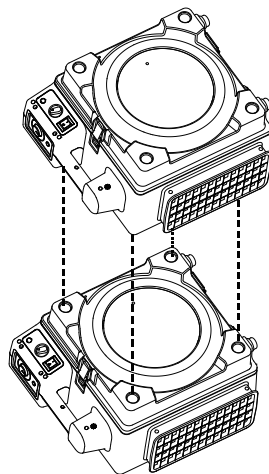
- Before use, please take off the foam cover. Otherwise it will cause abnormal motor operation and failure.
- After use, please put back the foam cover.

## Transportation



### Carry with Handle

Lift the Ozone Air Purifier with the handle on the top of the housing.



### Stack in Carrier

You can stack up to 5 Ozone Air Purifier and transport.

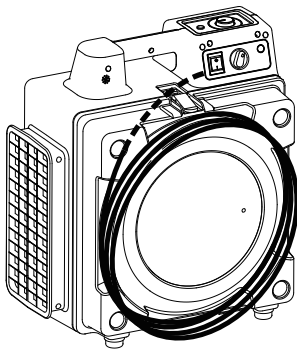
# User Maintenance Instructions

Frequent maintenance is recommended on this appliance. Failure to follow the maintenance instructions may cause failure of the appliance and void the warranty.

Before performing any maintenance or cleaning, always disconnect the Ozone Air Purifier from its power source.

## Machine Maintenance

- When not in use, unplug, remove all the extension and cover the intake with the foam cover ( *See Also Page 10: Foam Cover* ). Store the appliance in a dry and cool indoor place. Make sure it's out of reach of children.
- Use a damp cloth to wipe the surface of the housing. Do not clean the unit with water directly.
- Check if the grille covers are clean. Remove dirt or any other objects that could block the air inlet and air outlet.
- Do not stack more than five units of this appliance.

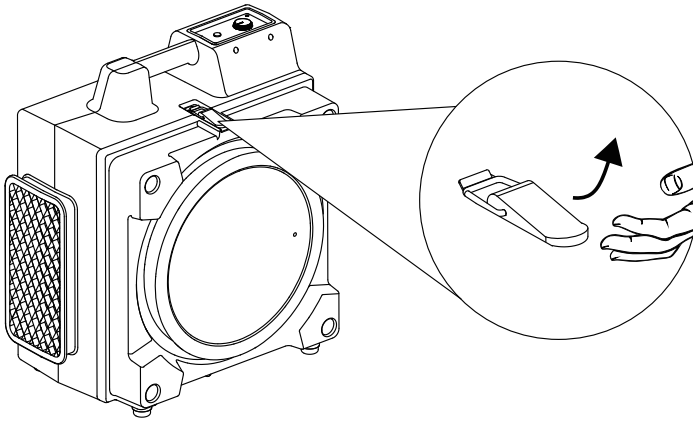


### Organize the Cord

- Wrap the power cord around the intake for storage after use.
- Use convenient strap at end of cord to secure in place.

## Filter Maintenance

To ensure the best filtration efficiency and to prevent secondary pollution of used filters, you should replace or clean the filters frequently or when the filter change light illuminates. Please follow the instructions below.



### Other Filters

Open the filter cover by releasing the latch kit on top. Unload other filters inside.

### Clean the filters (See Also Page 5: Filters)

- **Nylon Mesh Filters/Washable Filters** These filters are washable with water. Use a vacuum or clean cloth to remove loose debris. And then further clean the filter with water. Use a cloth to remove the water on the filter and dry it naturally in the air.
- **Pleated Media Filters** This filter is not washable. Use a vacuum to remove loose debris. If filter change light still illuminates, you might need to replace the filter.
- **HEPA Filters** This filter is not washable or reusable. Highly concentrated particles are captured by the HEPA filter and cleaning this filter can be hazardous to human health and contaminate the nearby environment. You must replace the filter if all the other filters are clean and however the filter change light still illuminates.

### Filter storage

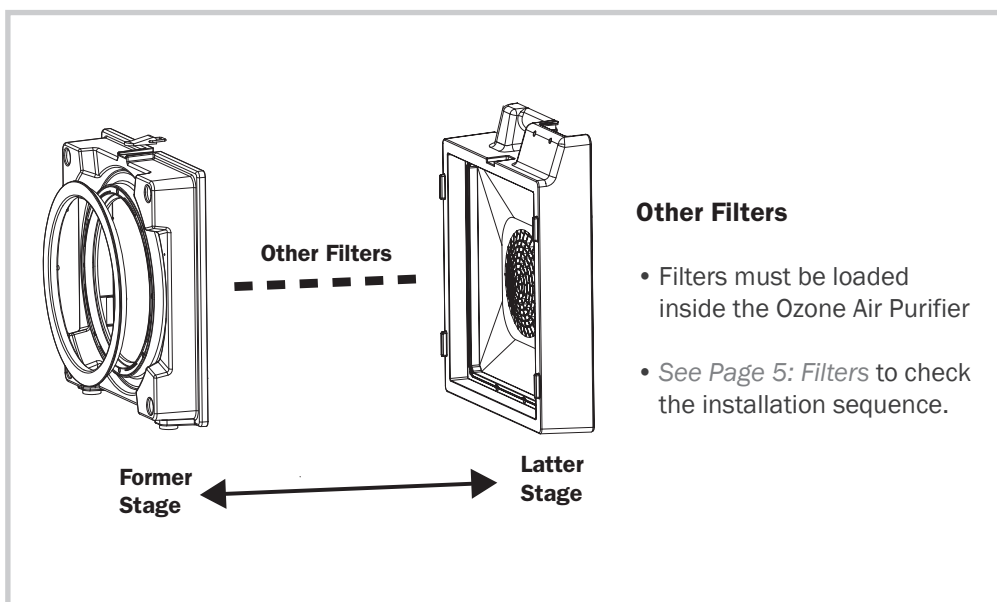
- When not in use for a long time, you should store the filter separately from the machine.
- Always clean the filters before storage. Place the filters in a sealed plastic bag and store it in a dry and cool indoor place.

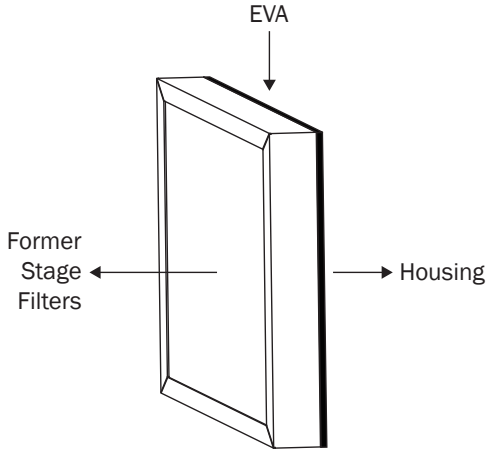
### **⚠ WARNING: DISPOSAL OF FILTERS NO LONGER IN USE**

The particles captured by a used filter can cause adverse human health effects and contaminate the nearby environment once the filter is exposed to the open air. Adequate personal protection equipment (PPE) is required during the whole process, for example, industry approved masks, eye protectors, gloves and coveralls. You should place the used filters in a sealed plastic bag before disposing. Follow local disposal regulations.

### **Reload the filters**

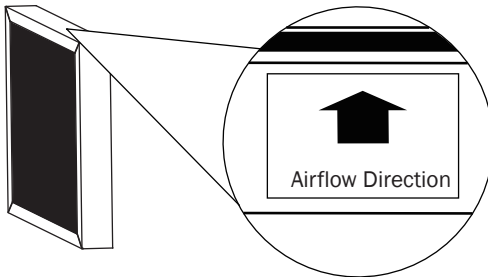
To ensure the best efficiency and lifespan, each filter must be reloaded in a correct position, sequence and orientation.





### Last Stage Filter:

- On one of the side of the last stage filter, there is an EVA sealing pad around the frame.
- The last stage filter must be loaded with EVA side facing the machine housing.
- The EVA sealing pad ensures that all the air is filtered.



### Tips:

- On one of the side of each filter, there is a label with an arrow showing the airflow direction.
- When placing the filter, the side with label should face up. The arrow on the label should point to the blue housing.

# Troubleshooting Guide

PROBLEM	POSSIBLE CAUSE	SOLUTION
Ozone Air Purifier does not start	No electricity.	Check for power supply.
	The power cord is not properly plugged in.	Remove and reconnect the power cord.
Unit runs but no or very low air movement	Air outlet is blocked.	Remove blockage.
	Filters are fully loaded. The filter change light illuminates.	Clean or replace the loaded filters. (See Page 12: Filter Maintenance)
Unit runs but no ozone come out	The ozone switch is off.	Open the ozone switch.
	The ozone generator is damaged.	Contact XPOWER or other parties authorized by XPOWER for further instructions.

If troubleshooting does not resolve your problem, please contact XPOWER, TX-5 or other parties authorized by XPOWER for further instructions.

# Technical Specification

## Machine Specification

MODEL NUMBER	M-35
Voltage/Frequency	200-240V~, 50Hz
Power	275 W
Ozone Output	5 g/h
Rated Airflow	950m <sup>3</sup> /h / 550 CFM
Speed Control	5 Speeds
Timer	3 hours (OFF)
Cord Length	4 m
Unit Dimension (L) x (W) x (H)	42.2 x 26.4 x 48 cm
Unit Weight	11 kg

If your product(s) is not listed above, please visit [www.xpower.com](http://www.xpower.com) or [www.tx-5.com.hk](http://www.tx-5.com.hk) for more information.

## Filter Specification

FILTER MODEL NUMBER	Type of Filter	Size	Thickness	Function
NFS13	Nylon Mesh Filter	13 x 13 in.	-	Primary filtration for visible and coarse particles.
PF13	Pleated Meida Filter	13 x 13 in.	0.6 in.	Medium filtration for fine dust.
HEPA35-33	HEPA (High Efficiency Particulate Air) Filter	13 x 13 in.	1.4 in.	Final filtration for micro particles.

See Also Page 5: Filters

# XPOWER LIMITED WARRANTY

XPOWER warrants this product to be free from defects in material and workmanship for a period of one (1) year from the date of original purchase.

The liability of XPOWER is limited solely to the cost of the repair or replacement of parts/the unit at XPOWER's discretion.

## Important!

This warranty does not cover or apply to defects due directly or indirectly to misuse, abuse, disassembly, alteration, corrosive chemicals, improper voltage, fire, flood, negligence, accident, improperly or incorrectly performed maintenance or repair, or failure to perform necessary maintenance or repair, or if the use of this product is not in compliance with the instructions and specifications for its use.

The POWER CORD is not covered by the warranty.

## Service

Contact an XPOWER Distributor in your region for warranty service and parts replacement.



**XPOWER Manufacture, INC.**

668 S. 6th Avenue,  
City of Industry, CA 91746 USA

Read and save these instructions before use  
[www.xpower.com](http://www.xpower.com) | [www.tx-5.com.hk](http://www.tx-5.com.hk)

---

Index: HK-1-B66  
Edition: 2.0.Final